

## RVK 160E2-A1 1PH/230V

Item number 5759

### Description

- Speed-controllable
- Integral thermal contacts
- Can be installed in any position
- Inclusive mounting bracket
- Maintenance-free and reliable

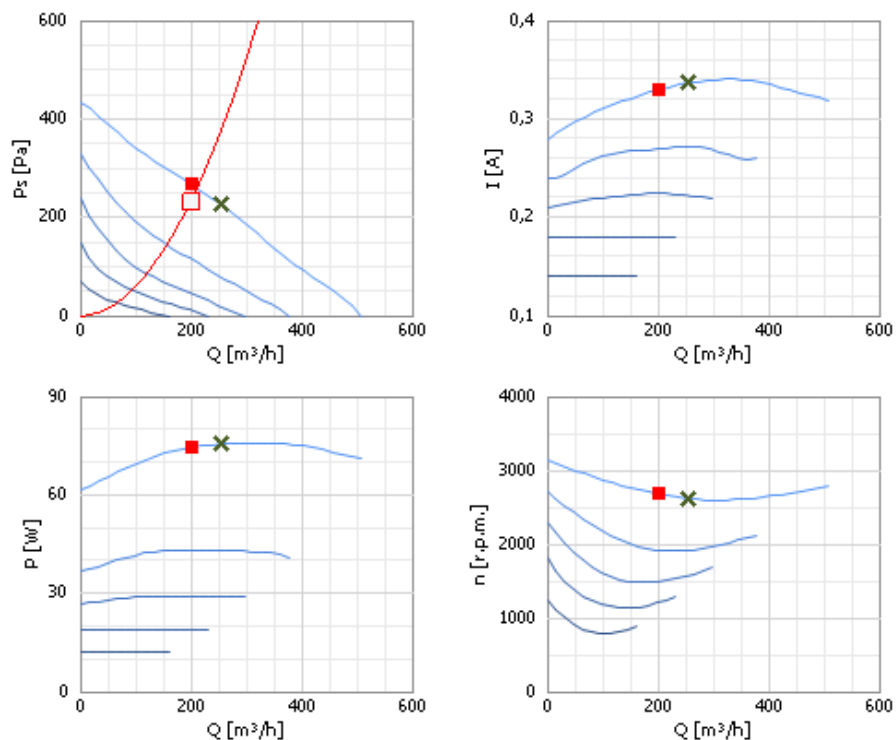
The RVK series is designed for installation in ducts. The casing is manufactured from PA6 fibreglass reinforced plastic which gives the fan a less leakage casing. Duct connected wet room applications of the fan are possible due to the air tight casing and the IP 44 rated terminal box. The fans have backward-curved blades and external rotor motors. The FK mounting clamp facilitates easy installation and removal, and prevents the transfer of vibration to the duct. The fans can be speed-controlled via a stepless thyristor or a 5-step transformer. The RVK fans have integral thermal contacts with automatic reset.



### Technical parameters

Parameter	Value	Unit
Voltage	230	V
Frequency	60	Hz
Phase	1	~
Power	75,8	W
Current	0,339	A
Max. airflow	508	m <sup>3</sup> /h
R.p.m.	2 608	r.p.m.
Max. temperature of transported air	70	°C
Max. temperature of transported air when speed-controlled	70	°C
Sound pressure level at 3 m	44,6	dB(A)
Weight	2,7	kg
Insulation class, motor	B	
Enclosure class, motor	44	IP
Capacitor	2	µF

### Diagrams



#### Max. efficiency data

✕ Working point							
Q [m <sup>3</sup> /h]	Ps [Pa]	P [W]	n [r.p.m.]	I [A]	U [V]	SFP [kW/m <sup>3</sup> /s]	E [%]
254	226	75,4	2618	0,336	230	1,07	21,1

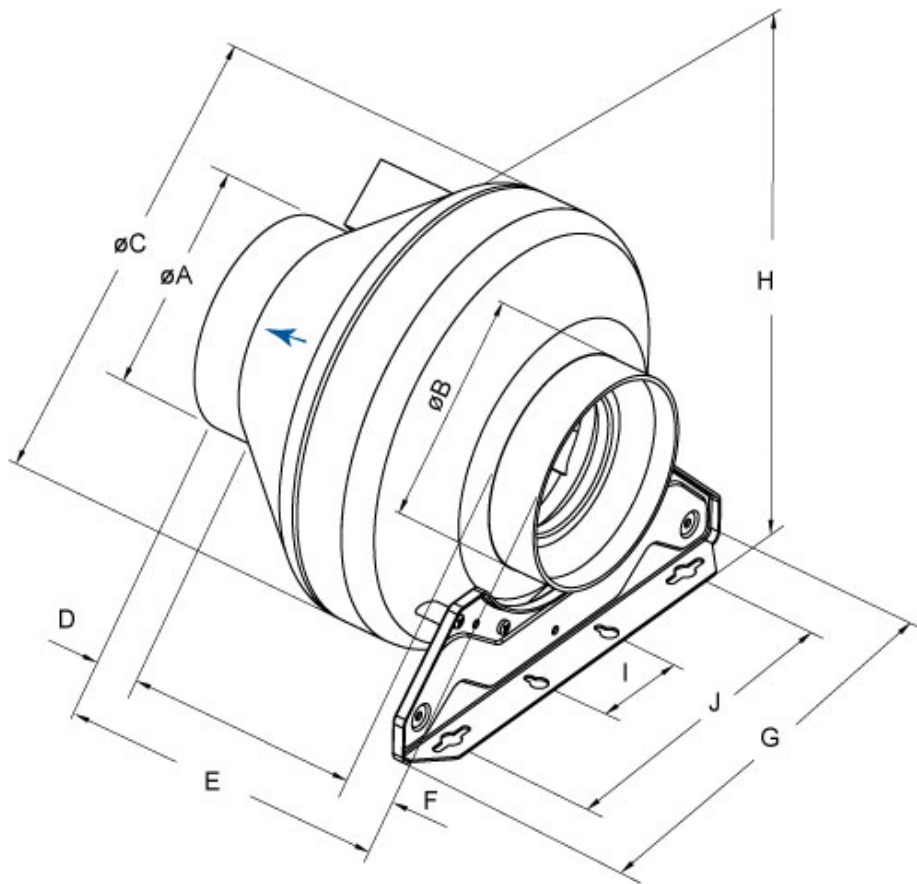
	Mid frequency band								Tot
	63	125	250	500	1k	2k	4k	8k	
Inlet Lw dB(A)	40	60	66	65	61	58	56	46	70
Outlet Lw dB(A)	41	60	65	58	57	55	55	48	68
Surrounding Lw dB(A)	18	23	38	47	48	44	39	29	52

#### Product selection data

☐ Selected point		■ Working point								
Q [m <sup>3</sup> /h]	Ps [Pa]	Q [m <sup>3</sup> /h]	Ps [Pa]	P [W]	n [r.p.m.]	I [A]	U [V]	SFP [kW/m <sup>3</sup> /s]	E [%]	
200	230	200	268	74,4	2679	0,329	230	1,34	20	

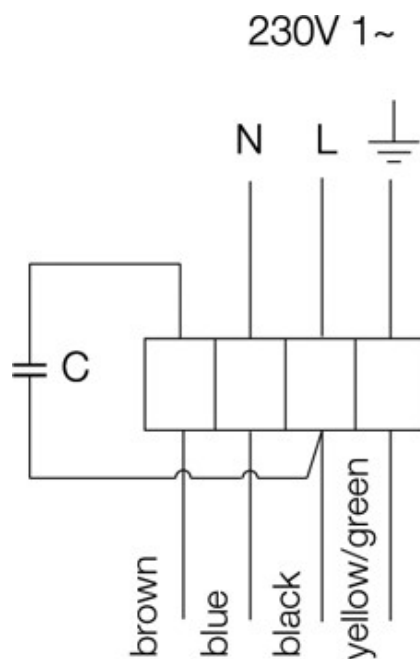
	Mid frequency band								Tot
	63	125	250	500	1k	2k	4k	8k	
Inlet Lw dB(A)	41	60	66	65	62	59	57	46	70
Outlet Lw dB(A)	42	60	66	59	58	56	56	49	69
Surrounding Lw dB(A)	19	24	39	48	48	44	40	30	52

Dimensions



	øA	øB	øC	D	E	F	G	H	I	J
RVK 160	159	159	340,5	30	230	30	271,5	360	60	200

Wiring



## Accessories

### Electric accessories

RE 1,5 Speed control  
REE 1 Speed control  
REU 1.5 Speed control  
REV-3POL/03 switch ON/OFF

### Accessories

CB 160-1,2 230V/1 Duct heater  
CB 160-2,1 230V/1 Duct heater  
CB 160-2,7 230V/1 Duct heater  
CB 160-5,0 400V/2 Duct heater  
CBM 160-2,1 230V/1 Duct heater  
CWK 160-3-2,5 Duct cooler,circ  
FFR 160 Filter cassette  
FGR 160 Filter cassette G3  
FK 160 Fast clamp  
IGC 160 Intake grid  
IGK 160 Wall Grid  
LDC 160-600 Silencer  
LDC 160-900 Silencer  
RSK 160 Back draft damper  
SG 160 Protection guard  
VBC 160-2 Water heating batt  
VBF 160 Water heating battery  
VK 15 Louvre shutter  
VKK 160 Back draft damper