

DVEX 450D4 ROOF FAN ATEX

Item number 32816

Description

- Certified according to ATEX
- Speed-controllable
- Integral thermistors (PTC *)

The DVEX models have impellers with backward-curved blades and external rotor motors. The casing is made from aluminium and the base frame from galvanised steel, with a copper inlet cone.

To protect the motor from overheating these fans have integral thermistors (PTC) with external leads which must be connected to the U-EK230E motor protection relay.

Explosions proof version comply with EN 50014, 50019, EN 1127-1 and EN 13463-1. Improved safety in accordance with Ex e IIB T3. ex II 2G. Certified according to ATEX.

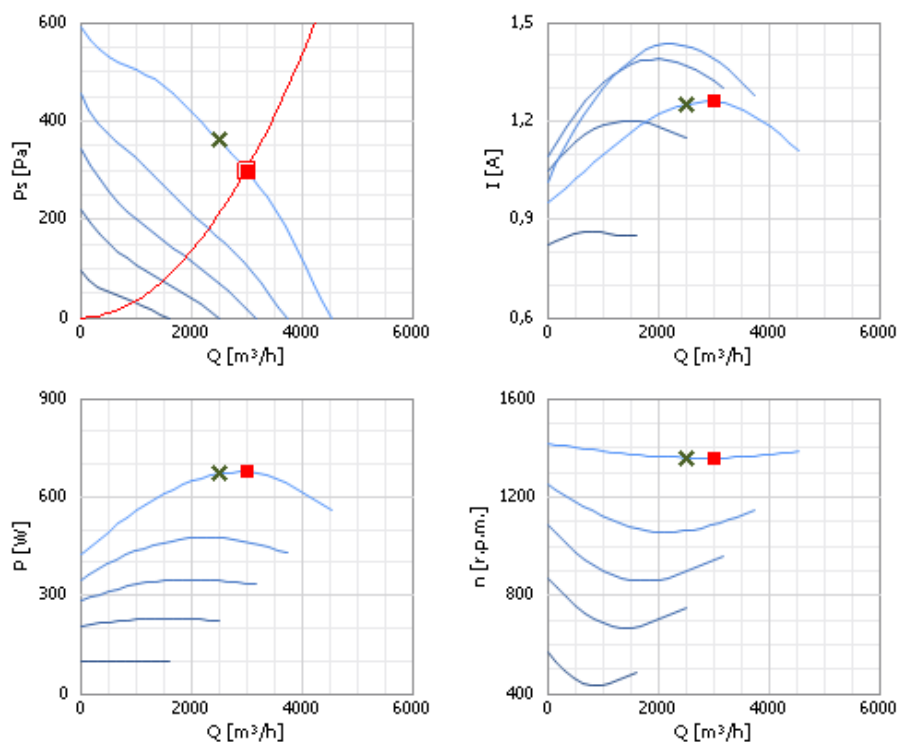
* Positive Temperature Coefficient



Technical parameters

Parameter	Value	Unit
Voltage	230/400	V
Frequency	50	Hz
Phase	3	~
Power	720	W
Current	2,46/1,42	A
Max. airflow	4 550	m ³ /h
R.p.m.	1 360	r.p.m.
Temperature range, ambient and duct	-20...+40	°C
Sound pressure level at 4 m	57	dB(A)
Sound pressure level at 10 m	49	dB(A)
Weight	40	kg
Insulation class, motor	F	
Enclosure class, motor	44	IP
Motor protection	U-EK230E	
Certificate	SP 07ATEX3132X	

Diagrams



Max. efficiency data

✘ Working point							
Q [m³/h]	Ps [Pa]	P [W]	n [r.p.m.]	I [A]	U [V]	SFP [kW/m³/s]	E [%]
2508	361	670	1359	1,25	400	0,961	37,5

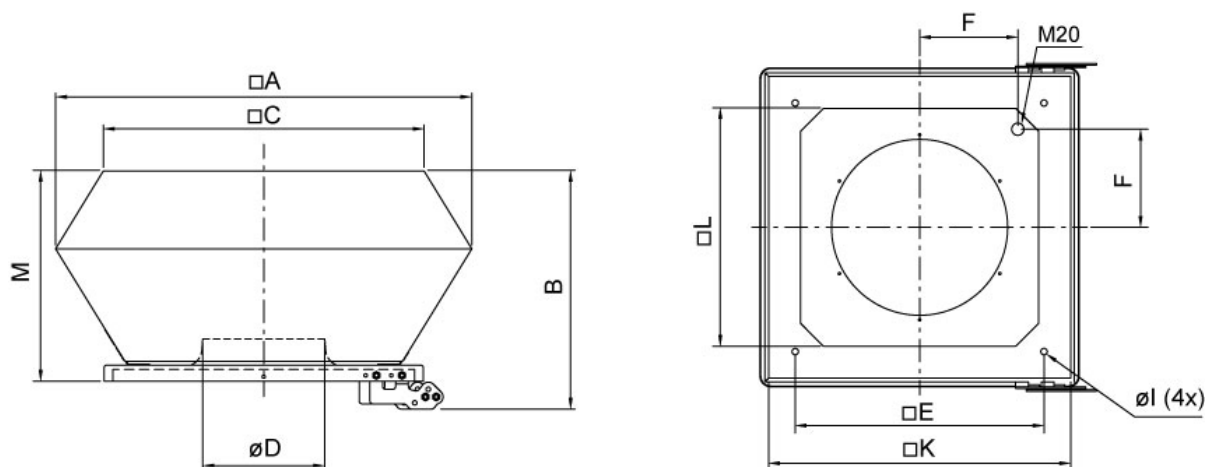
	Mid frequency band								Tot
	63	125	250	500	1k	2k	4k	8k	
Inlet Lw dB(A)	58	64	71	71	68	66	58	52	76
Outlet Lw dB(A)	58	67	74	75	75	70	62	53	80

Product selection data

☐ Selected point		■ Working point							
Q [m³/h]	Ps [Pa]	Q [m³/h]	Ps [Pa]	P [W]	n [r.p.m.]	I [A]	U [V]	SFP [kW/m³/s]	E [%]
3000	300	3000	298	676	1359	1,26	400	0,812	36,8

	Mid frequency band								Tot
	63	125	250	500	1k	2k	4k	8k	
Inlet Lw dB(A)	57	65	71	72	69	66	59	52	76
Outlet Lw dB(A)	57	67	74	75	76	71	62	53	81

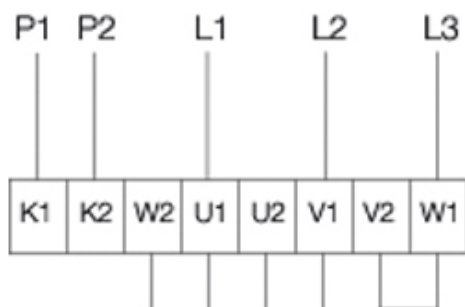
Dimensions



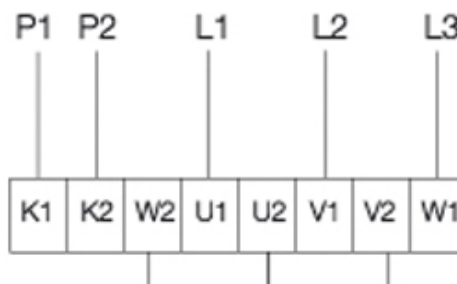
	A	B	C	D	E	F	l	K	L	M
DVEX 450	900	517	730	289	535	237	12	636	490	465

Wiring

230V3~ (D)



400V3~ (Y)



Accessories

Electric accessories

- Ex e-Terminal box
- R-DK4 KT Transformer (302568)
- RTRD 2 Speed Cont. Systemair
- RTRDU 2 Speed contr. Systemair
- U-EK230E EX Motorprotec.

Accessories

- ASF 355-500 inlet flange DVS
- ASK 450-500 inflow box SSD
- ASS-EX 355-500 flex. con. DVEX
- BTG 640 Back Draft Damper
- FDS 450/500 flat roof socket
- SSD 450-500 socket silencer
- TDA DV 450-500 Adapter
- TG 640-1230 Roof curb
- TG 640-800 Roof curb
- VKS-EX 355-500 Back draft da.