

Fan description

project:
customer:
contact:
date: 2011.01.13.
page: 1



Systemair GmbH
Seehöfer Str. 45
DE-97944 Windischbuch
Tel: +49 (0) 79 30 / 92 72-0
Fax: +49 (0) 79 30 / 92 72-92
Mail: Info@systemair.de

Axial Fan:
AXC 500-10 / 12° - 2

fan data

air volume	[m ³ /h]	7 200
air density	[kg/m ³]	1,200
static pressure	[Pa]	438
dynamic pressure	[Pa]	62
total pressure	[Pa]	500
air velocity	[m/s]	10,19
efficiency	[%]	57,3
shaft power	[kW]	1,76
max. shaft power	[kW]	1,87
blade angle	[°]	12

motor data

size	90L
type of construction	B3
protection class/iso class	IP55 / F
power supply	3~400V/50Hz
number of poles	2

Characteristics:

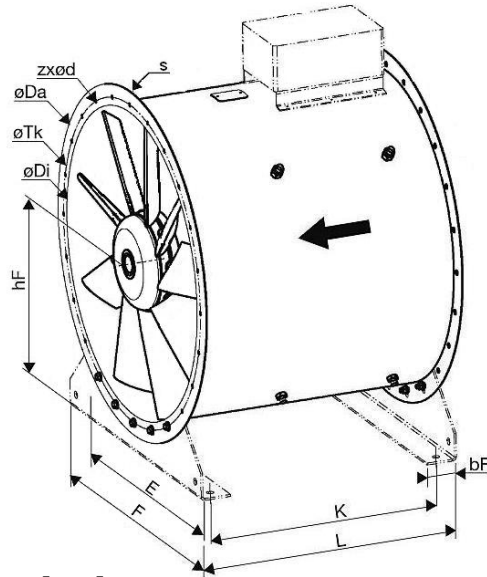
2 840 1/min - 2,20 kW - 4,80 A

In case of order, rated motor data
can slightly deviate depending on motor brand!

sound data

* in duct conditions ** free field conditions

Hz	Sum.	63	125	250	500	1000	2000	4000	8000
Lw-dB*	102,7	95,7	95,7	96,7	95,7	92,7	88,7	84,7	79,7
dB(A)**3m	79,1	52,0	62,1	70,6	75,0	75,2	72,4	68,2	61,1



Dimensions [mm]

Da	Di	hF	Tk	E	F	bF	K	L	s	zxd
584	504	315	541	440	500	70	404	480	2,5	12x9.5

Weight [kg] 50
(without accessories)

Fan performance in accordance with ISO 5801, part 1, category D

