

Fan description

project:
customer:
contact:
date: 2011.01.13.
page: 1



Systemair GmbH
Seehöfer Str. 45
DE-97944 Windischbuch
Tel: +49 (0) 79 30 / 92 72-0
Fax: +49 (0) 79 30 / 92 72-92
Mail: Info@systemair.de

Smoke Extract Fan 400°C/120min:
AXC 560-6 / 11° - 2 (F)

fan data

air volume	[m ³ /h]	7 200
air density	[kg/m ³]	1,200
static pressure	[Pa]	460
dynamic pressure	[Pa]	40
total pressure	[Pa]	500
air velocity	[m/s]	8,12
efficiency	[%]	67,2
shaft power	[kW]	1,54
max. shaft power	[kW]	1,54
blade angle	[°]	11

motor data

size	90L
type of construction	B30
protection class/Iso class	IP55 / H
power supply	3~400V/50Hz
number of poles	2

Characteristics:

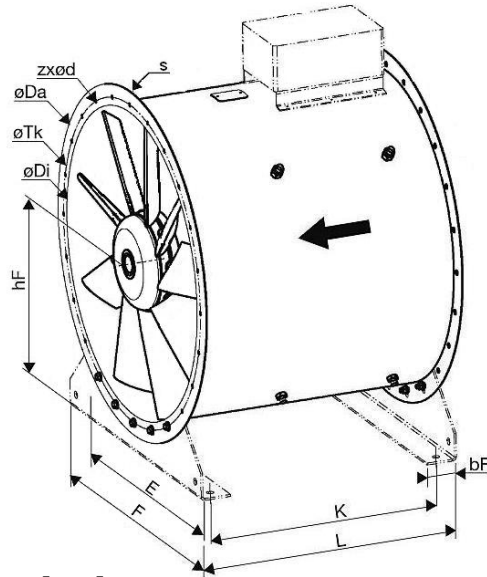
2 850 1/min - 2,20 kW - 4,40 A

In case of order, rated motor data
can slightly deviate depending on motor brand!

sound data

* in duct conditions ** free field conditions

Hz	Sum.	63	125	250	500	1000	2000	4000	8000
Lw-dB*	102,0	95,0	95,0	96,0	95,0	92,0	88,0	84,0	79,0
dB(A)**3m	78,4	51,3	61,4	69,9	74,3	74,5	71,7	67,5	60,4



Dimensions [mm]

Da	Di	hF	Tk	E	F	bF	K	L	s	zxd
650	560	340	620	500	560	70	624		3,0	12x12

Weight [kg] 87
(without accessories)

Fan performance in accordance with ISO 5801, part 1, category D

