

## RVK 160E2-L1 1PH/230V

Item number 5760

### Description

- Speed-controllable
- Integral thermal contacts
- Can be installed in any position
- Inclusive mounting bracket
- Maintenance-free and reliable

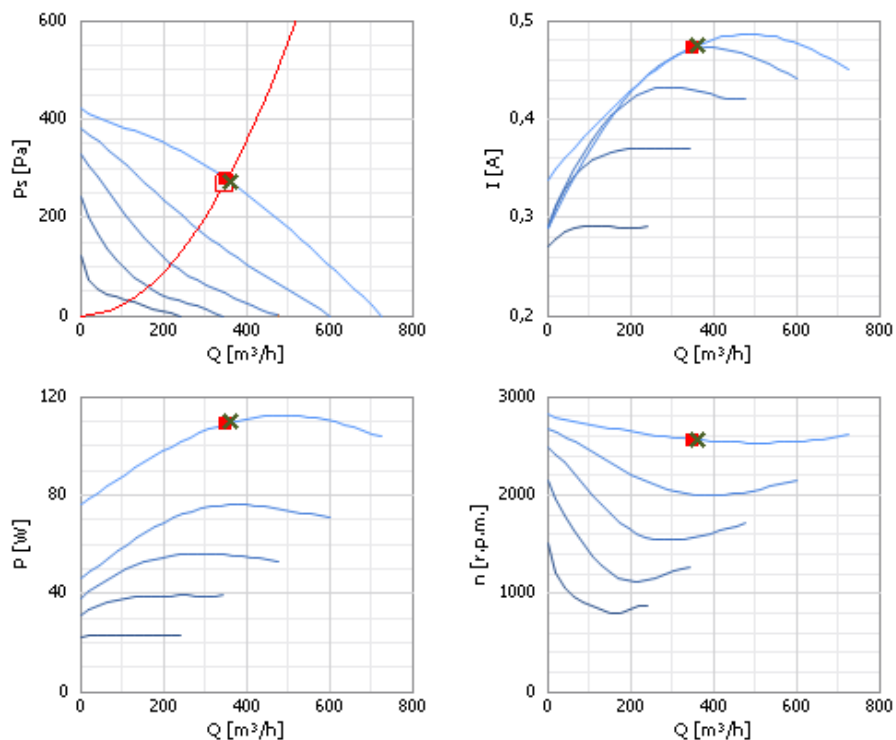
The RVK series is designed for installation in ducts. The casing is manufactured from PA6 fibreglass reinforced plastic which gives the fan a less leakage casing. Duct connected wet room applications of the fan are possible due to the air tight casing and the IP 44 rated terminal box. The fans have backward-curved blades and external rotor motors. The FK mounting clamp facilitates easy installation and removal, and prevents the transfer of vibration to the duct. The fans can be speed-controlled via a stepless thyristor or a 5-step transformer. The RVK fans have integral thermal contacts with automatic reset.



### Technical parameters

Parameter	Value	Unit
Voltage	230	V
Frequency	50	Hz
Phase	1	~
Power	112	W
Current	0,485	A
Max. airflow	727	m <sup>3</sup> /h
R.p.m.	2 530	r.p.m.
Max. temperature of transported air	70	°C
Max. temperature of transported air when speed-controlled	70	°C
Sound pressure level at 3 m	47,5	dB(A)
Weight	2,7	kg
Insulation class, motor	B	
Enclosure class, motor	44	IP
Capacitor	3	µF

### Diagrams



Max. efficiency data

✕ Working point							
Q [m³/h]	Ps [Pa]	P [W]	n [r.p.m.]	I [A]	U [V]	SFP [kW/m³/s]	E [%]
364	270	110	2557	0,476	230	1,08	24,9

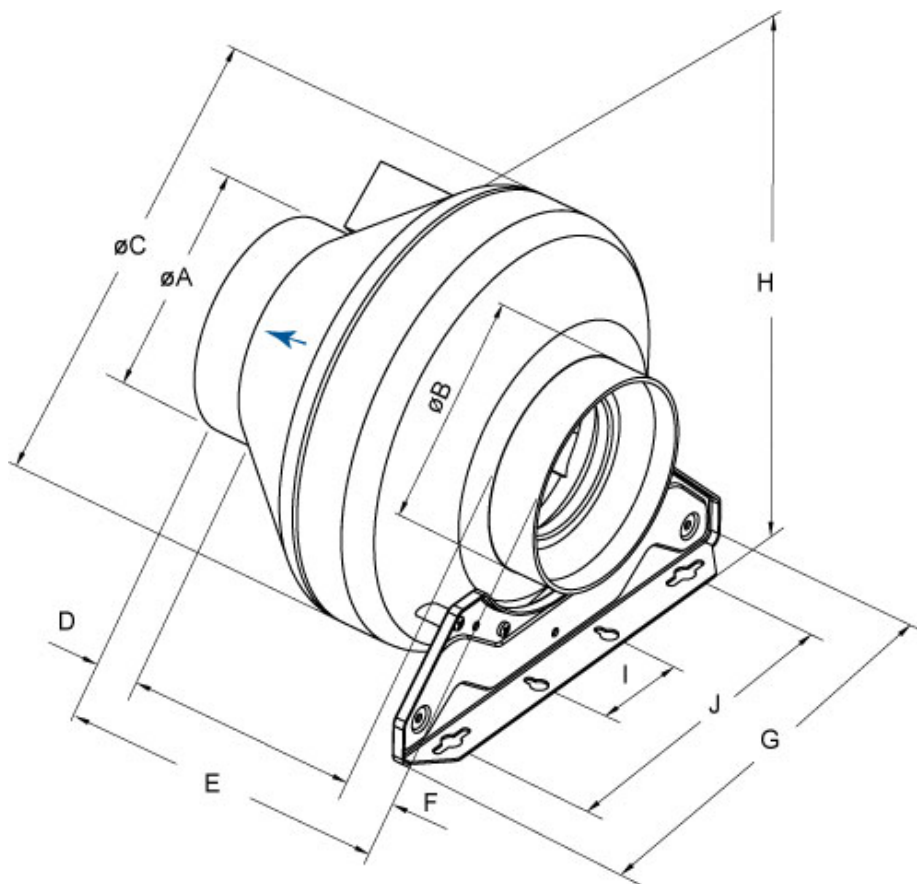
	Mid frequency band								Tot
	63	125	250	500	1k	2k	4k	8k	
Inlet Lw dB(A)	41	62	63	68	63	59	60	50	72
Outlet Lw dB(A)	42	63	65	64	60	58	59	49	70
Surrounding Lw dB(A)	18	35	31	53	47	45	43	33	55

Product selection data

☐ Selected point		■ Working point								
Q [m³/h]	Ps [Pa]	Q [m³/h]	Ps [Pa]	P [W]	n [r.p.m.]	I [A]	U [V]	SFP [kW/m³/s]	E [%]	
350	270	350	279	109	2562	0,473	230	1,12	24,9	

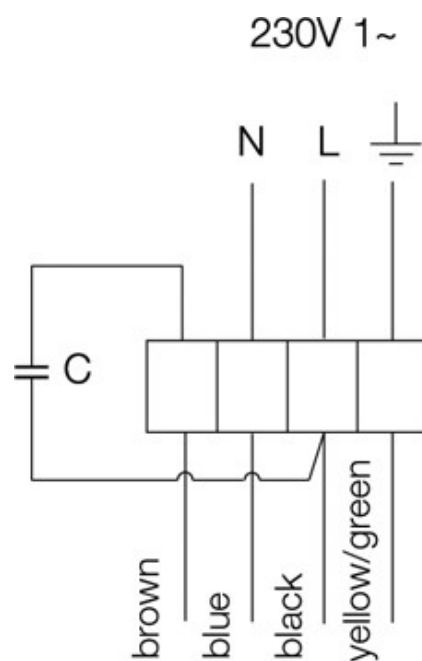
	Mid frequency band								Tot
	63	125	250	500	1k	2k	4k	8k	
Inlet Lw dB(A)	41	62	63	68	63	59	60	50	72
Outlet Lw dB(A)	42	63	65	64	60	58	59	49	70
Surrounding Lw dB(A)	18	35	31	53	47	45	43	33	55

## Dimensions



	øA	øB	øC	D	E	F	G	H	I	J
RVK 160	159	159	340,5	30	230	30	271,5	360	60	200

Wiring



## Accessories

### Electric accessories

- RE 1,5 Speed control
- REE 1 Speed control
- REU 1.5 Speed control
- REV-3POL/03 switch ON/OFF

### Accessories

- CB 160-1,2 230V/1 Duct heater
- CB 160-2,1 230V/1 Duct heater
- CB 160-2,7 230V/1 Duct heater
- CB 160-5,0 400V/2 Duct heater
- CBM 160-2,1 230V/1 Duct heater
- CWK 160-3-2,5 Duct cooler,circ
- FFR 160 Filter cassette
- FGR 160 Filter cassette G3
- FK 160 Fast clamp
- IGC 160 Intake grid
- IGK 160 Wall Grid
- LDC 160-600 Silencer
- LDC 160-900 Silencer
- RSK 160 Back draft damper
- SG 160 Protection guard
- VBC 160-2 Water heating batt
- VBF 160 Water heating battery
- VK 15 Louvre shutter
- VKK 160 Back draft damper